

SUPER CAPACITORS

Coin Type Super Capacitors

ELECSOUND®

PRODUCT SPECIFICATION

Small size, large capacity, good memory characteristics of voltage, high reliability, long life time, low temperature characteristics and free of environmental pollution. Can be applied to electronic field (electric toy, voice IC, LED light-emitting device, small UPS power, etc.)



General Characteristics		
Item	Specification	Testing Methods
Rated voltage(V)	5.5 V DC	
Rated discharge apacitance	0.22F - 4F	Value of the last cycle by Standard charge-discharge for 5cycles;
Capacitance tolerance	-20%~+80%	
Max. work voltage	6.0 V	Do not working on this voltage more than 1h.
Nominal Impedance	AC Imp 25-85Ω	5.0mV, 1KHz Discharged by Standard current
	DC Imp 40-130 Ω	
Working temperature range	-25~70°C	
Storage temperature range	-40~85°C	

Environmental Characteristics	
Items	Specification/Condition
Temperature characteristics	$ \Delta C/C \leq 30\%$, $ESR \leq$ specified ESR(25°C) at +70°C
	$ \Delta C/C \leq 50\%$, $ESR \leq 4$ times of specified ESR (25°C) at -25°C
High temperature load	$ \Delta C/C \leq 30\%$, $ESR \leq 4$ times of specified ESR (25°C) at +70±2°C/1000hrs/rated voltage
High temperature storage	$ \Delta C/C \leq 30\%$, $ESR \leq 2$ times of specified ESR (25°C) at +70±2°C/1000hrs/standby after fully charge
Humidity Resistance	+40°C±2, 90~95%RH, 240h, $ \Delta C/C \leq 30\%$, $IL \leq 2$ times of specified leakage current, $ESR \leq 4$ times of specified ESR (25°C)

Elecsound Technology Company Limited

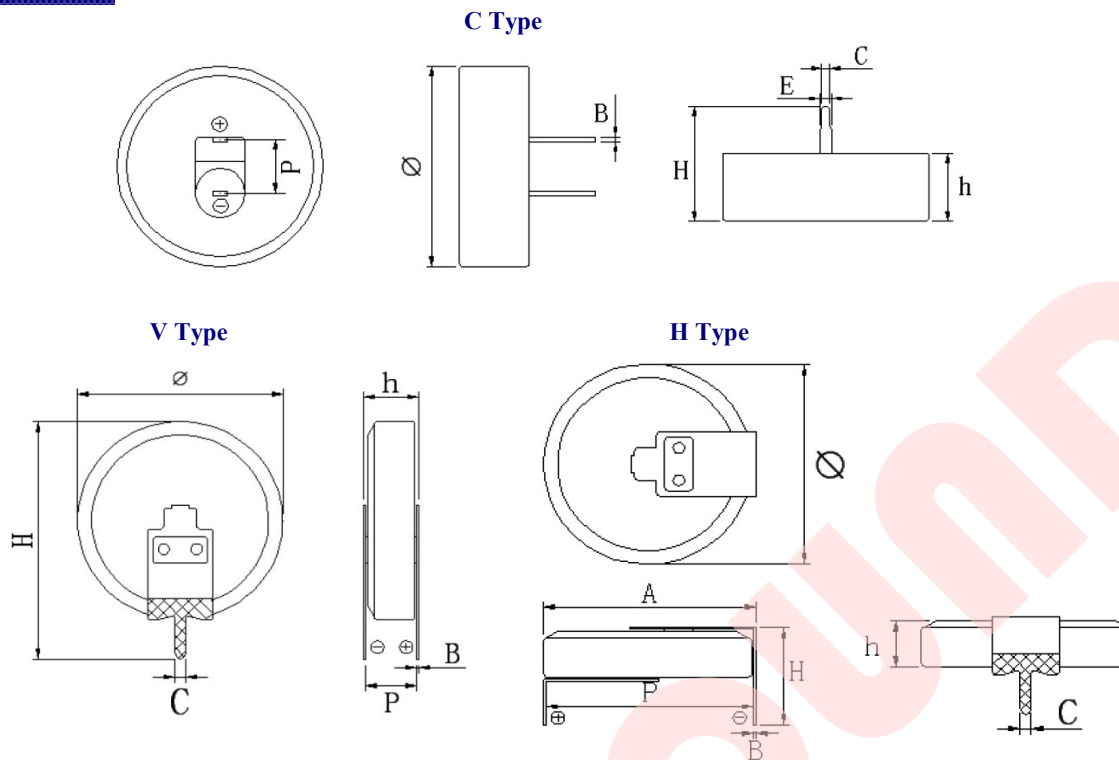
TEL: 0086-755-82908842

FAX: 0086-755-83045964

Website: www.elecsound.com

Email: sales@elecsound.com

Dimensions



Part No.	Capacitance (F)	ESR (OHM@1KHz)	V Type			H Type			C Type		
			ΦD	h	P	ΦD	h	P	ΦD	h	P
ES5R5224Z-	0.22	75	9.5	4.5	5	9.5	4.5	10	13	7	5
ES5R5334Z-	0.33	75	9.5	4.5	5	9.5	6	10	13	7	5
ES5R5474Z-	0.47	50	12.5	4.5	5	12.5	4.5	12.5	20.5	7	5
ES5R5684Z-	0.68	30	16	4.5	5	16	4.5	16	20.5	7	5
ES5R5105Z-	1	25	19	4.5	5	19	5	19	20.5	7	5
ES5R5155Z-	1.5	25	19	4.5	5	19	5	19	20.5	7	5
ES5R5405Z-	4	16	25	6	6.5	25	6.5	25			

Notes:

1. Standard charge-discharge : In room temperature, Charge the capacitor with standard current to rated voltage ,hold on for 0.5h, then discharge with the same current to 0.1V.
2. Standard current: refer to 1mA/F;
3. Capacitance : $C = I \Delta t / \Delta V$, $\Delta V: 4.0 \sim 2.0V$;

Standard Testing Environment

Unless otherwise stated, all tests of the specification book were carried out under the following environmental conditions:

Temperature: 25±2°C

Humidity: (65±20) %RH