

Material:

Housing: PBT UL94V-0
 Contact : Phosphor Bronze D=0.46mm
 Contact plated: GOLD plated over Nickel
 Mating / UnMating force: 22N / 2.27Kg Max.
 Retention Strength : 57.83N Min.
 Operation Life: 750 Cycles Min.

Electrical:

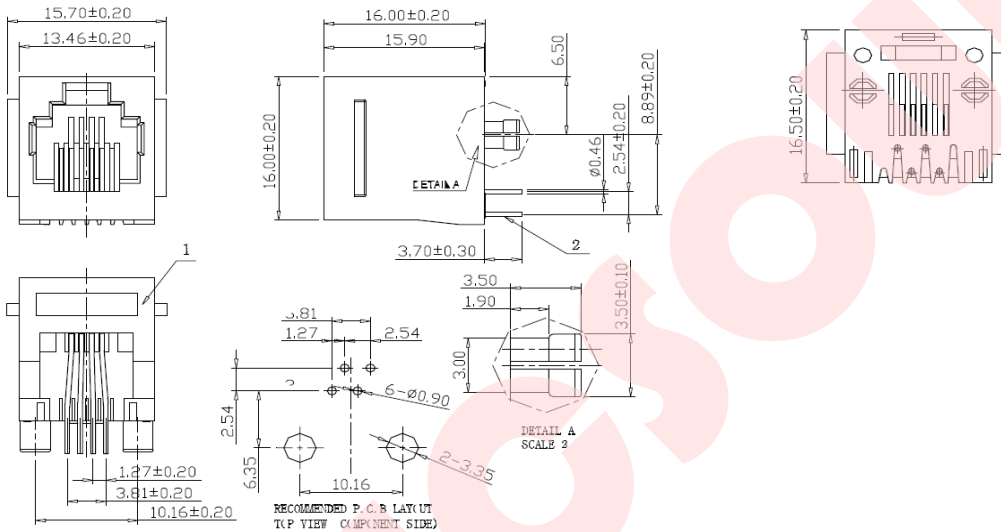
Current rating: 1.5Amp/Pin max
 Contact resistance: <35mΩ,
 Insulation resistance: >1000M Ω, 500VDC
 Dielectric Strength : 1000VAC rms 60Hz (1 min)
 Voltage rating: 125VAC Rms.

Environmental

Storage: -10°C to +40°C Relative Humidity < 80%
 Operation : -40°C to +85°C

DIMENSIONS

RJ11 connector



RJ45 connector

