

Single Turn Potentiometer

ET103 6mm Carbon Trimming Potentiometer **ELECSOUND®**

Elecsound is a leading manufacturer of trimming potentiometers with more than 10 years experiences in manufacturer. Our factory is located in Chengdu, China. Our products include: 3006, 3262, 3266, 3269, 3296, 3299, 3303, 3306, 3309, 3318, 3323, 3329, 3362, 3386, 3540 and 3590.

Carbon Resistive Element

Dust Proof Enclosure

Polyester Substrate

Wiper Position at 50% or fully clockwise

Supplied in magazines for automatic insertion

Long life model PT-6...E (10000 cycles)

Without crimping module PT-6...SC

Housing available in self extinguishable plastic (UL94V0)



Electrical Characteristics

Range of Value: 220Ω to 5MΩ

Resistance Tolerance: 220Ω to 1MΩ -20%

Resistance Tolerance: 1MΩ to 5MΩ -30%

Max. Voltage: 100VDC(lin), 50VDC(no lin)

Normal Power@50°C: 0.1W(lin), 0.05W(no lin)

Residual Resistance: ≤0.5%Rn(2Ω min)

Equivalent Noise Resistance: ≤3%Rn(3Ω min)

Operating Temperature: -25°C to +70°C

Mechanical Characteristics

Mechanical Rotation angle: 235° ±5°

Electrical Rataion angle: 200° ±20°

Torqute: 0.2 to 2 N·cm

Stop Torque: ≥4N·cm

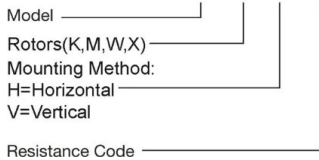
Mechanical Endurance:

500cycles Std.

10000cycles Long life

How to Order

ET103 K - H - 103



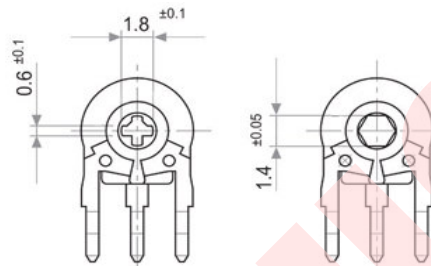
Standard Resistance Table:

| Resistance (Ohms) | Resistance Code |
|-------------------|-----------------|
| 220 | 221 |
| 330 | 331 |
| 1,000 | 102 |
| 2,200 | 222 |
| 3,300 | 332 |
| 10,000 | 103 |
| 22,000 | 223 |
| 33,000 | 333 |
| 50,000 | 503 |
| 100,000 | 104 |
| 200,000 | 204 |
| 500,000 | 504 |
| 1,000,000 | 105 |
| 2,000,000 | 205 |
| 5,000,000 | 505 |

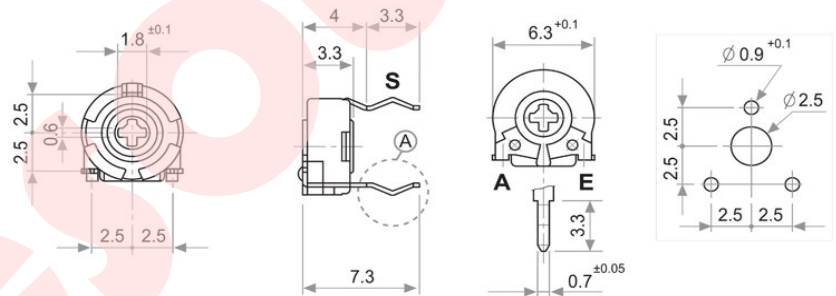
ET103 Common Dimension & Adjust Method

Rotor: K

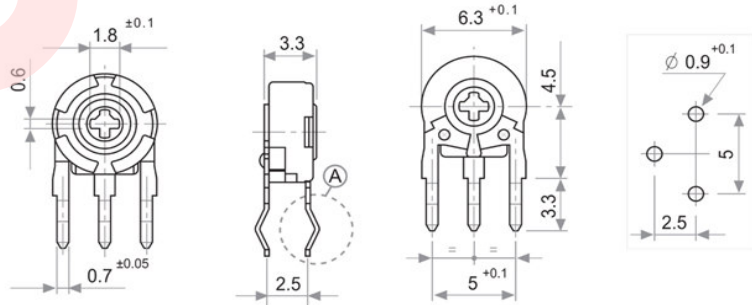
Rotor: M



Vertical Adjust



Horizontal Adjust



Shaft

