

Trimmer Capacitors

EC9 6mm Ceramic Trimmer Capacitors

ELECSOUND®

Elecsound is a leading manufacturer of trimming potentiometers with more than 10 years experiences in manufacturer. Our factory is located in Chengdu, China. Our products include: 3006, 3262, 3266, 3269, 3296, 3299, 3303, 3306, 3309, 3318, 3323, 3329, 3362, 3386, 3540 and 3590.

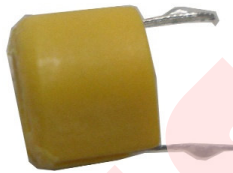
Single-Turn / Cermet / Industrial / Sealed
3 Terminal Styles
RoHS Compliant

Operating Temperature Range: -25°C to +85°C
Rated Working Voltage: 100VDC
Withstanding Voltage: 250VDC
Insulation Resistance : 100000M ohm min
Raotaion Torque : 30-200g·cm
Soldering Temperature : 250±5°C

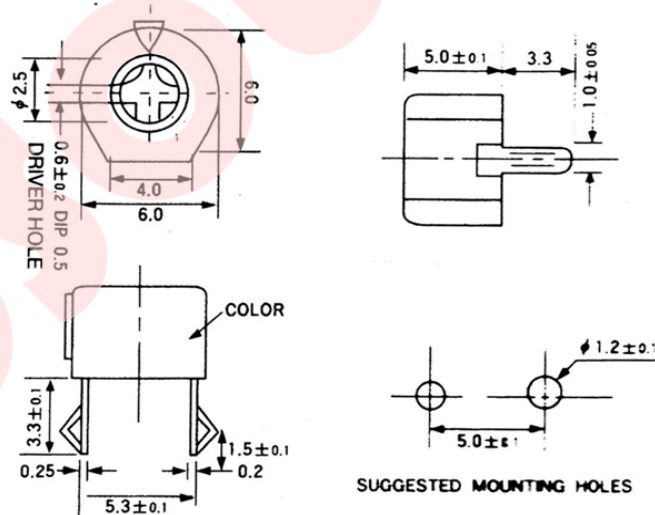
Performance Parameters

Part No.	Mini. Capacitance(PF)	Max. Capacitance(PF)	Temp.Coeff PPM/°C	Q Factor @ 1MHz Cmax
EC9-030-Style(R,F,S)	1.3PF max	3.0PF +50% -0%	>500	BLACK
EC9-050-Style(R,F,S)	2.0PF max	5.0PF +50% -0%	>500	BLUE
EC9-070-Style(R,F,S)	2.5PF max	7.0PF +50% -0%	>500	BLUE
EC9-100-Style(R,F,S)	3.0PF max	10.0PF +50% -0%	>500	WHITE
EC9-200-Style(R,F,S)	4.2PF max	20.0PF +50% -0%	>500	RED
EC9-300-Style(R,F,S)	5.2PF max	30.0PF +50% -0%	>500	GREEN
EC9-400-Style(R,F,S)	6.8PF max	40.0PF +50% -0%	>300	YELLOW
EC9-500-Style(R,F,S)	9.0PF max	50.0PF +50% -0%	>200	BROWN
EC9-600-Style(R,F,S)	11.0PF max	60.0PF +50% -0%	>200	BROWN
EC9-700-Style(R,F,S)	13.0PF max	70.0PF +50% -0%	>200	BROWN
EC9-900-Style(R,F,S)	13.5PF max	90.0PF +50% -0%	>200	BROWN

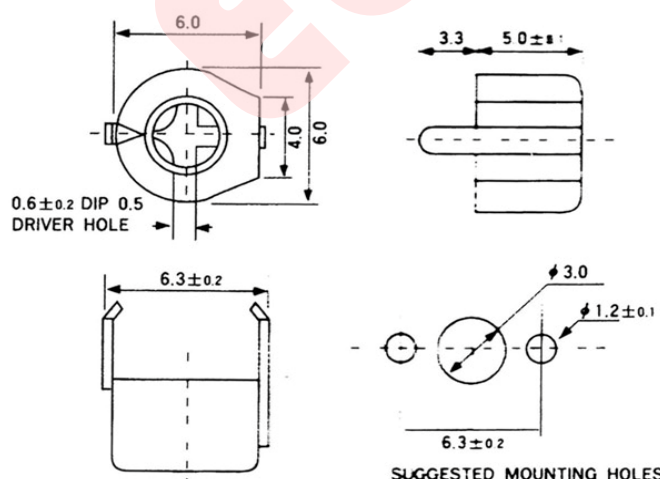
Diameter And Size(Unit: mm)



STRAIGHT TYPE



REAR TYPE



FORMING TYPE

