

Chip Aluminum Electrolytic Capacitors

EAS4 - Bi-Polar 85°C Aluminum Electrolytic Capacitors

ELECSOUND®

Elecsound is a leading manufacturer of aluminum electrolytic capacitors. Mainly include radial type electrolytic capacitors and chip aluminum electrolytic capacitors.

Features:

Bi-polar with general temperature 85°C.

Designed for surface mounting on density circuit board.

Emboss carrier tape packing system is available for automatic insertion

Load life of 2000 hours at 85 °C

Available for reflow soldering

Rohs Compliant

Available for high density surface mounting

Specifications:

Operating Temperature Range(°C): -40~+85

Rated Voltage Range(V): 6.3~50V

Nominal Capacitance Range(μF): 0.1~220

Capacitance Tolerance(20 °C,120Hz) : 20%

Leakage current (μ After 2 minutes' application of rated voltage, leakage current is not more than 0.002CV or 0.5(μA), whichever is greater.

Resistance to Soldering Heat

| | |
|--------------------|----------------------------------|
| Capacitance Change | Within ±10% of the initial value |
| Tanδ | Initial specified value or less |
| Leakage Current | Initial specified value or less |

Dissipation Factor(25 °C,120Hz)

| Rated Voltage (V/DC) | 6.3 | 10 | 16 | 25 | 35 | 50 |
|----------------------|------|-----|------|------|------|------|
| Tanδ (max) | 0.24 | 0.2 | 0.17 | 0.17 | 0.15 | 0.15 |

Measurement frequency: 120Hz, Temperature: 20°C

Stability at Low Temperature (Measurement frequency:

| Rated voltage (V.DC) | 6.3 | 10 | 16 | 25 | 35 | 50 |
|---------------------------------|------------------|----|----|----|----|----|
| Impedance ratio ZT/Z20 (max) | Z(-25°C)/Z(20°C) | 4 | 3 | 2 | 2 | 2 |
| | Z(-40°C)/Z(20°C) | 8 | 6 | 4 | 4 | 3 |

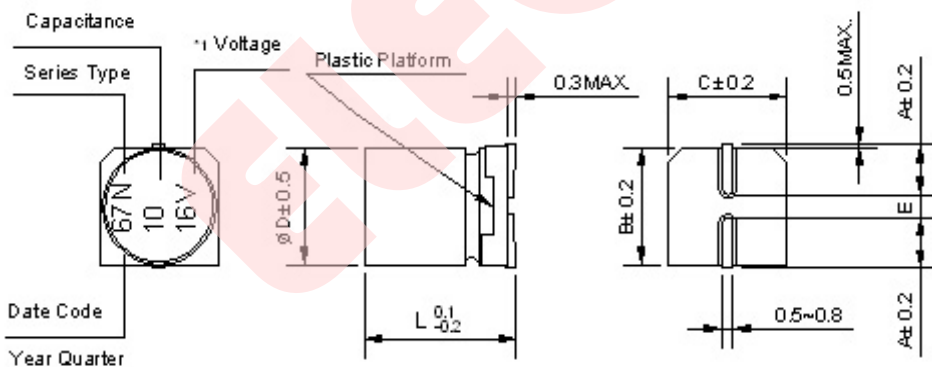
Load Life(+85 °C)

| Time | 1000 hours |
|--------------------|--|
| Leakage Current | Not more than the specified value. |
| Capacitance Change | Within ±25% of the initial value. |
| Dissipation Factor | Not more than 200% of the specified value. |

Shelf Life(+85 °C)

| Time | 1000 hours |
|--------------------|--|
| Leakage Current | Not more than the specified value. |
| Capacitance Change | Within ±10% of the initial value. |
| Dissipation Factor | Not more than 200% of the specified value. |

Dimensions : (Unit:MM)



| D×L | 4×5.4 | 5×5.4 | 6.3×5.4 | 6.3×7.7 |
|---------|-------|-------|---------|---------|
| A | 1.8 | 2.1 | 2.4 | 2.4 |
| B | 4.3 | 5.3 | 6.6 | 6.6 |
| C | 4.3 | 5.3 | 6.6 | 6.6 |
| E ± 0.2 | 1 | 1.3 | 2.2 | 2.2 |
| L | 5.4 | 5.4 | 5.4 | 7.7 |

Elecsound Technology Company Limited

TEL: 0086-755-82908842 FAX: 0086-755-83045964

Website: www.elecsound.com

Email: sales@elecsound.com

Chip Aluminum Electrolytic Capacitors

EAS4 - Bi-Polar Aluminum Electrolytic Capacitors

ELECSOUND®

Frequency Correction Factor of Rated Ripple Current

| Frequency | 50Hz | 120Hz | 300Hz | 1kHz | 10kHz~ |
|-------------|------|-------|-------|------|--------|
| Coefficient | 0.7 | 1 | 1.17 | 1.36 | 1.5 |

Standard size & Maximum permissible ripple current

| WV | | 6.3 | | 10 | | 16 | | 25 | | 35 | | 50 | |
|-----------|-----|-----------|----------------|-----------|----------------|-----------|----------------|-----------|----------------|-----------|----------------|-----------|----------------|
| | | 0J | | 1A | | 1C | | 1E | | 1V | | 1H | |
| Cap. (μF) | | Case Size | Ripple Current | Case Size | Ripple Current | Case Size | Ripple Current | Case Size | Ripple Current | Case Size | Ripple Current | Case Size | Ripple Current |
| 0.1 | 0R1 | - | - | - | - | - | - | - | - | - | - | 4×5.4 | 1 |
| 0.22 | R22 | - | - | - | - | - | - | - | - | - | - | 4×5.4 | 2 |
| 0.33 | R33 | - | - | - | - | - | - | - | - | - | - | 4×5.4 | 2.8 |
| 0.47 | R47 | - | - | - | - | - | - | - | - | - | - | 4×5.4 | 4 |
| 1 | 10 | - | - | - | - | - | - | - | - | - | - | 4×5.4 | 8.4 |
| 2.2 | 2R2 | - | - | - | - | - | - | - | - | 4×5.4 | 8.4 | 5×5.4 | 13 |
| 3.3 | 3R3 | - | - | - | - | - | - | 5×5.4 | 12 | 5×5.4 | 16 | 5×5.4 | 17 |
| 4.7 | 4R7 | - | - | - | - | 4×5.4 | 12 | 5×5.4 | 16 | 5×5.4 | 18 | 6.3×5.4 | 20 |
| 10 | 100 | - | - | 4×5.4 | 17 | 5×5.4 | 23 | 6.3×5.4 | 27 | 6.3×5.4 | 29 | 6.3×7.7 | 36 |
| 22 | 220 | 5×5.4 | 28 | 6.3×5.4 | 33 | 6.3×5.4 | 37 | 6.3×7.7 | 50 | 6.3×7.7 | 54 | - | - |
| 33 | 330 | 6.3×5.4 | 37 | 6.3×5.4 | 41 | 6.3×5.4 | 49 | 6.3×7.7 | 61 | - | - | - | - |
| 47 | 470 | 6.3×5.4 | 45 | 6.3×7.7 | 61 | 6.3×7.7 | 75 | - | - | - | - | - | - |
| 100 | 101 | 6.3×7.7 | 82 | 6.3×7.7 | 85 | - | - | - | - | - | - | - | - |

Ripple Current (mA rms) at 85°C 120Hz

Elecsound Technology Company Limited

TEL: 0086-755-82908842 FAX: 0086-755-83045964

Website: www.elecsound.com

Email: sales@elecsound.com